

### May 25

May is named after Maia, the Roman goddess of spring and growth. If you could rename the month, what would you name it and why?

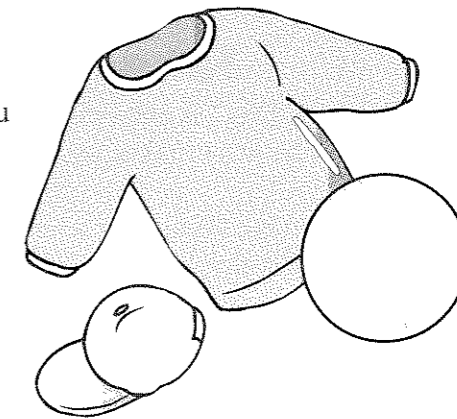
Imagine that you could bounce on a trampoline to the clouds. What would you see down below?



### May 29

What is your favorite color? What things do you own that are your favorite color?

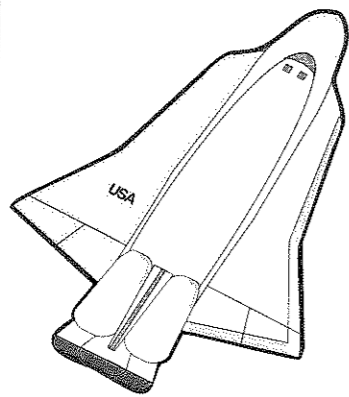
School is coming to an end soon. What have you liked best about this year?



### May 26

Sally Ride, the first American woman in space, was born on May 26, 1951. If you were to travel in a space shuttle today, what would you bring with you?

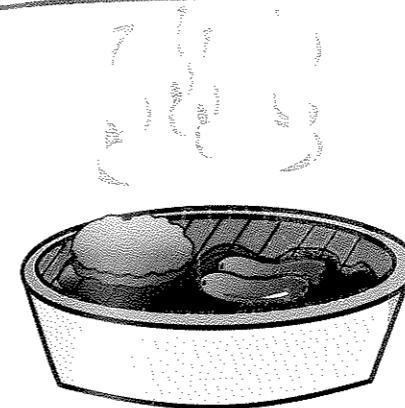
Imagine that you are a fluffy white dandelion and someone is about to blow on you. What would you say to that person?



### May 30

The Lincoln Memorial was dedicated to Abraham Lincoln, our 16th president, on May 30, 1922. If he were still alive today, what questions would you ask him?

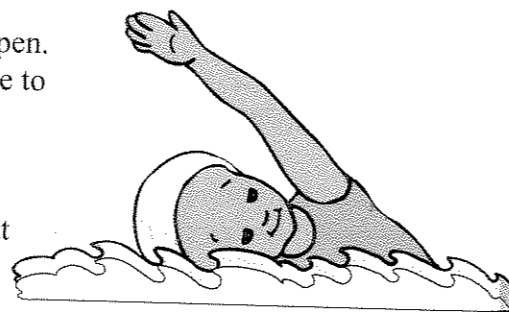
May is the time to get the barbecue grill ready. What is your favorite food cooked on the grill?



### May 27

May is the month when many swimming pools open. If you are a swimmer, where is your favorite place to go for a swim? If you are unable to swim, do you think you'll want to learn this summer?

Imagine that mud pies could really be eaten. What flavors would you like them to be?



### May 31

Have you ever been in a race? What kind of race was it? Did you win?

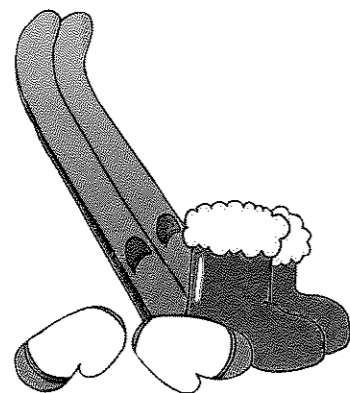
If April showers bring May flowers, what do May flowers bring?



### May 28

Memorial Day is the last Monday in May. Write about someone special that you will remember on Memorial Day.

You've outgrown your winter boots, mittens, and skis. What would you say in an advertisement to try to sell these winter items now that summer is nearly here?



M  
A  
Y

M  
A  
Y

